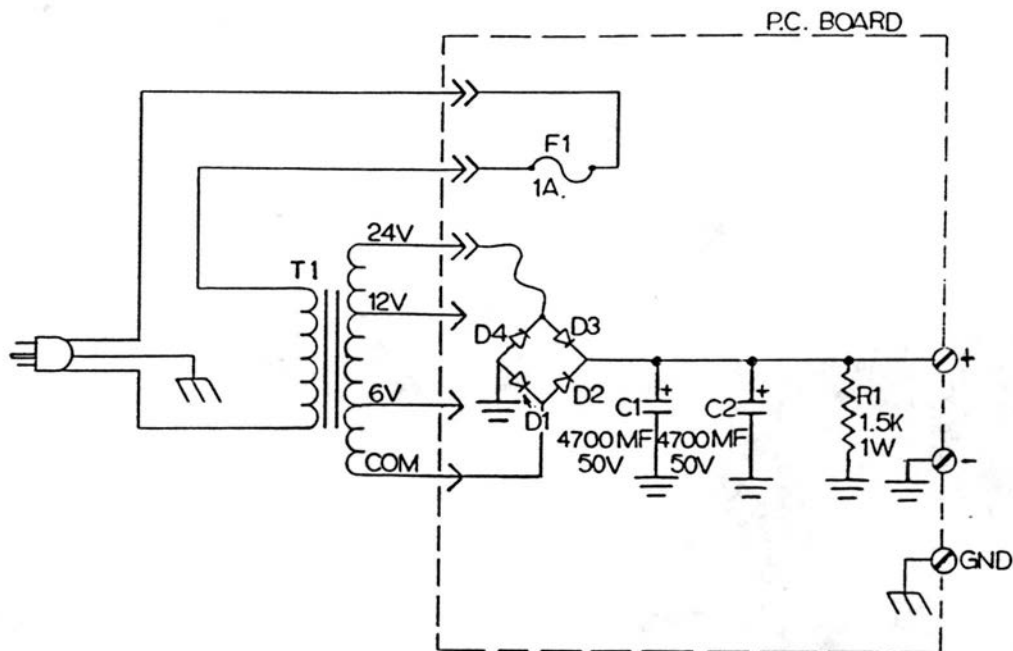




INPUT – 117 VAC @ 60 Hz
OUTPUT – 6, 12, 24 VDC 2 Amps



PARTS LIST

Ref. Designator	Description	Part No.
T1	Power Transformer	248827
C1, C2	Capacitor, 4700mf 50v	253715
R1	Resistor, 1.5k 1w	110728
D1, D2, D3, D4	Silicon Rect., 400 piv. 2 amp	110973
F1	Fuse, 1 amp AGC 1	111368

OUTPUT VOLTAGE CHANGE INSTRUCTIONS

1. Remove bottom cover and locate terminal strip with quick-on connector.
2. Remove quick-on connector from 24 volt terminal and reconnect to 6 volt or 12 volt as desired.

Specifications are subject to change without notice

www.AtlasSound.com

